



Chromotherapy System

User's Guide

International

Aquaticausa.com
Aquaticabath.ca
E: info@aquaticabath.com

aquatica[®]
Function : Form : Fashion

Chromotherapy System

User's Guide

INTRODUCTION TO CHROMOTHERAPY

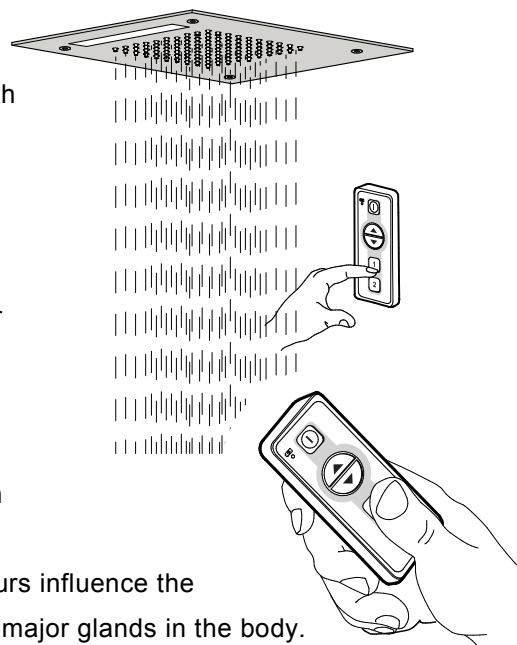
Chromo therapy practices were already well known in ancient times. According to Egyptian mythology, the Gods discovered chromotherapy, whereas according to the secrets of hermetism, both the Egyptians and Greeks employed minerals, stones, crystals and coloured balms, besides painting the wall of therapeutic rooms.

The Greeks associated the colours with the fundamental elements (air, fire, water and earth) and these were in turn associated with the "humeral" or "body fluids": yellow for bile, red for blood, white for phlegm, and the black bile, that are produced in the four specific organs: splinter, heart, liver and brain.

Health was considered the result of these elements' equilibrium, whereas sickness was its unbalance. The correlation of colours with humours was also echoed in their use for treating illnesses.

Eastern medicine also has traditionally taken into account how colours influence the equilibrium of chakras, the centres of energy streams related to the major glands in the body. It is quite straightforward to integrate chromotherapy into other therapies and treatments, thus enhancing their outcome and beneficial effects.

For this reason, chromotherapy is coupled with other fitness activities such as massage and thermal baths. This shower-head has been designed with this aim in mind, coupling the shower efficacy to a genuine chromotherapy session. Using its entire and diversified program of exposure to a specific colour range, you can enjoy the benefits and relaxation of chromotherapy, daily and at home.



The benefits of colour in the shower head

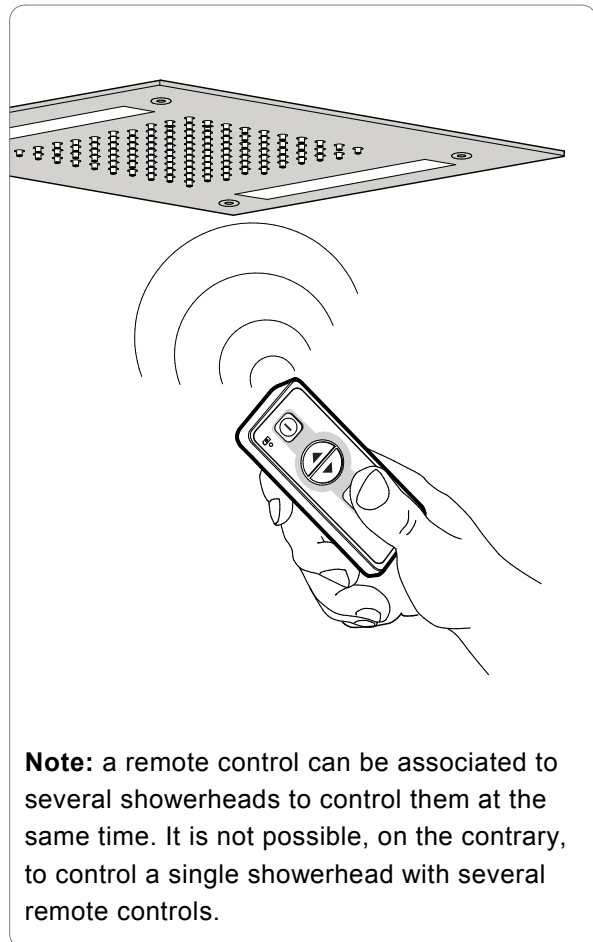
- | | |
|-----------------|---|
| WHITE: | Revitalizing, increases vitality and energy |
| CYAN: | Soothing, it releases tension and restores freshness |
| MAUVE: | Relaxing, helps with insomnia and the nervous system |
| BLUE: | Purifying, against stress and anxiety |
| GREEN: | Relaxing, favours contemplation and calmness |
| YELLOW: | Stimulating, favours concentration and self assurance |
| ORANGE: | Freeing, it confers optimism and releases tension |
| RED: | Stimulating, exciting, against depression and immune-deficiency |
| MAGENTA: | Energetic, it confers strength and character |

TECHNICAL INFORMATION

The device you have installed is equipped with a remote control with an extremely low emission. The remote control can be installed into the shower cabin. Remote control and showerhead are already associated to each other on purchase. In order to associate the showerhead to a new remote control, i.e. in case of replacement, please follow the instructions at the end of this guide.

Procedure for associating showerhead to remote control

- Switch off electric power to the showerhead.
- Give power to the showerhead.
- During the first 5 seconds, when the showerhead is RED coloured, switch on the remote control you want to connect.
- The sequence of RED-GREEN-BLUE colours will confirm the successful programming. On the contrary, please repeat the procedure from the beginning.

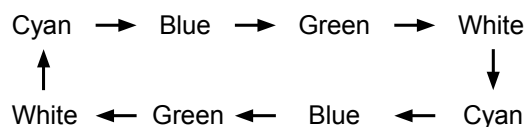


Note: a remote control can be associated to several showerheads to control them at the same time. It is not possible, on the contrary, to control a single showerhead with several remote controls.

PROGRAMS FOR THE SHOWER HEAD

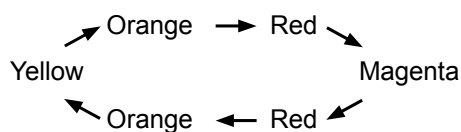
Program 1 Relaxing

Total 12 min



Program 2 Exciting

Total 12 min



Individual Colors

White	Total 10 min
Cyan	Total 10 min
Mauve	Total 10 min
Blue	Total 10 min
Green	Total 10 min
Yellow	Total 10 min
Orange	Total 10 min
Red	Total 10 min
Magenta	Total 10 min

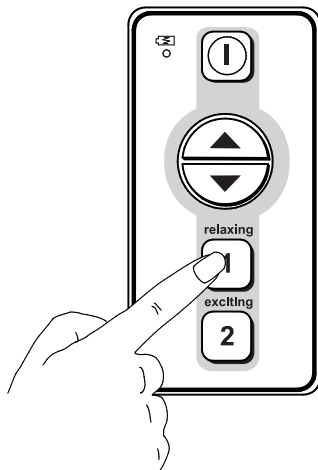
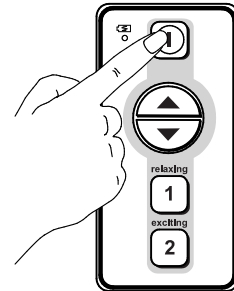
Chromotherapy System

User's Guide

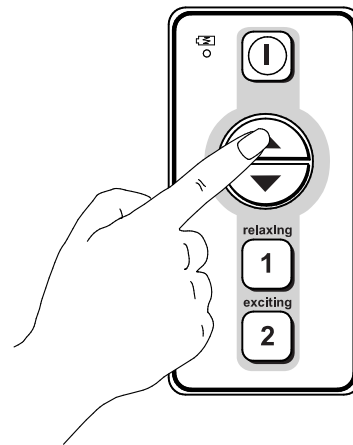
REMOTE CONTROL INSTRUCTIONS

Press the key as shown to switch the remote control on.

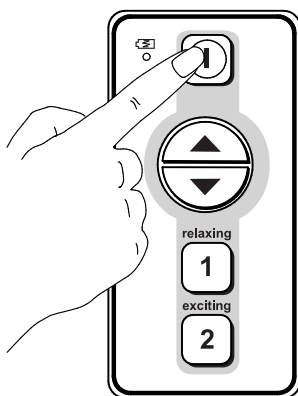
The remote control is designed according to power-savings guidelines; it switches itself off automatically after 10 seconds non-use; in order to start it again, touch the key again. In case you want to switch it off manually, touch the key as shown for longer than 2 seconds.



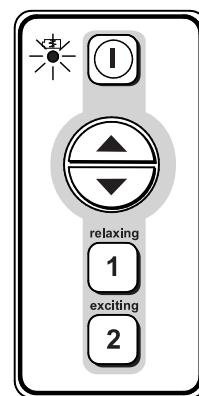
Set the number of your selected program using the keys as indicated.



Set your color program, using the keys as indicated.



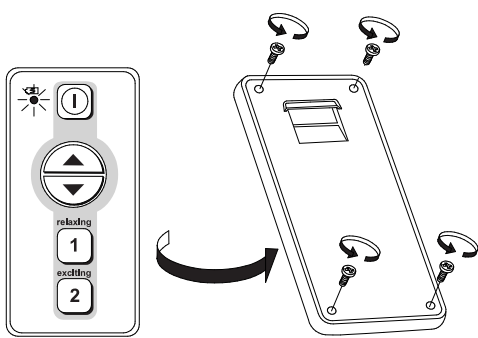
To end the cycle at any time, press the key as shown for more than 2 seconds.



The remote control is powered by 2, AAA 1,5V alkaline batteries. When a red light appears on the keyboard you should replace the batteries.

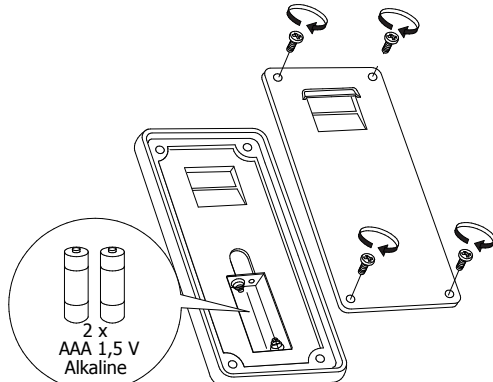
PLACE THE BATTERIES

1



Place the batteries ensuring their appropriate negative/positive poles position as shown by the diagram in their casing.

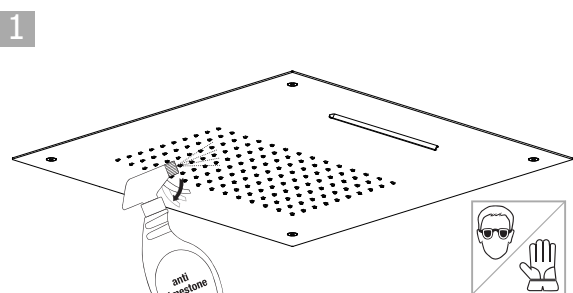
2



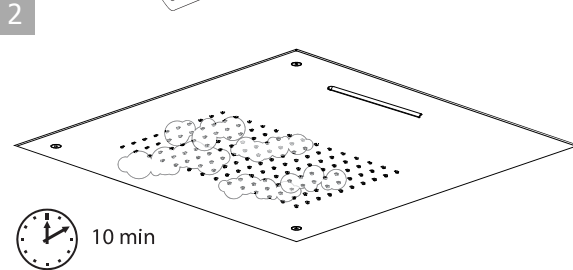
When the device is not going to be used for a long time, remove all batteries.

CLEANING TIPS

1

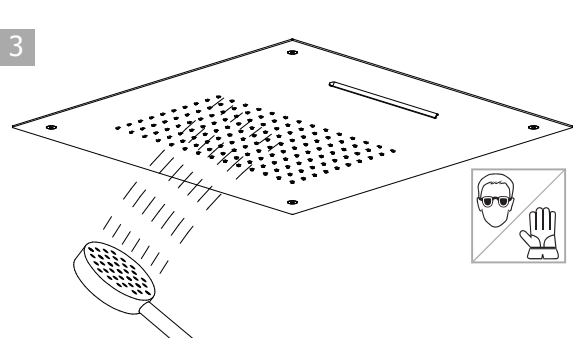


2

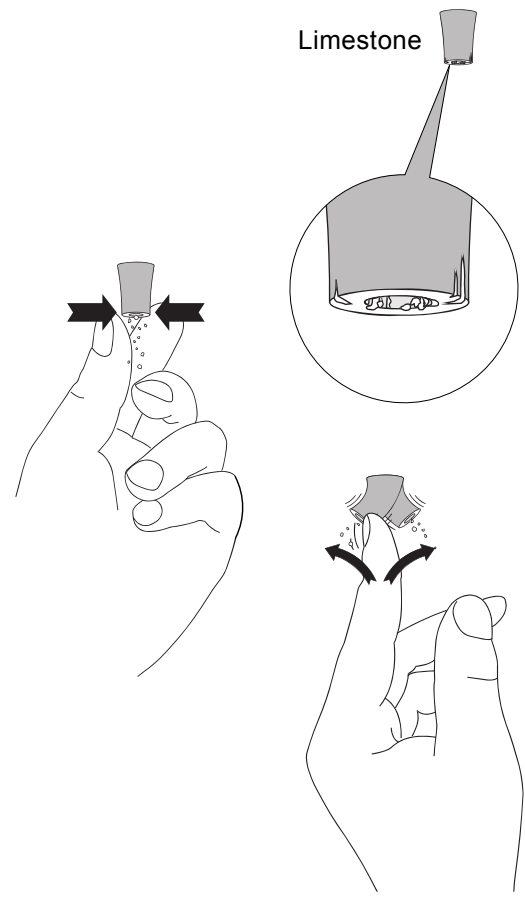


10 min

3



Limestone





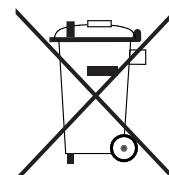
Disposal of electrical and electronic equipment (RAEE) within the European Union

This symbol appears on the product or on the package to indicate that the product is subject to differential disposal requirements.

Users must dispose of waste equipment bringing them to the collection point as appropriately indicated for the recycling of electrical and electronic equipment.

Differential collection and recycling of waste equipment favour natural resources preservation and guarantee that such equipment is disposed of preserving the environment and health.

For further information on the waste collection points, please contact the manufacturer and/or reseller where you bought the device from.



aquatica[®]
Function, Form & Fashion

